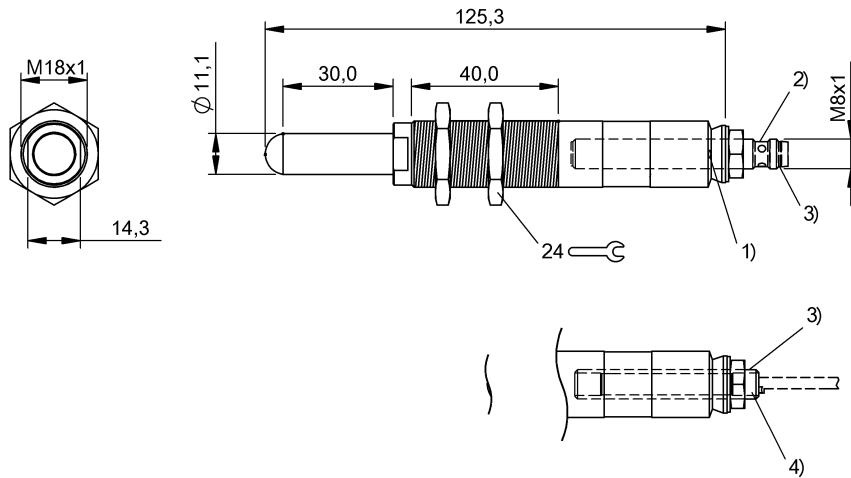


Mechanical Protection
BAM FS-XE-005-M8-2-01R
Order Code: BAM022W

BALLUFF



1) Leakage hole, 2) Detail of connector installation, 3) Included in the scope of delivery, 4) not installed, 5) Cable attachment detail

Basic features

Scope of delivery	Fixed stop Round tip 2x nut M18x1 3x springs (soft, medium, hard)
Short description	Spare parts set for plunger probe
Use	for positive stop plunger probe

Material

Housing material	Brass, Chrome-plated Steel, Bronze, Stainless steel, Chrome-plated
Material	Steel Brass Bronze Stainless steel
Surface protection	Chrome-plated

Environmental conditions

Ambient temperature	0...60 °C
----------------------------	-----------

Mechanical data

Clamping system	Threads
Dimension	Ø 18 x 125.3 mm
Life expectancy mechanical	1 mil. switching operations
Mounting part	Threads
Size	M18x1
Spring deflection	30 mm
Spring force	27.04 N
Tightening torque max.	35 Nm

Remarks

Spring rate: low = 0.172 N/mm medium = 0.665 N/mm high = 0.980N/mm
 Only available as SET products: SET015A BAV BP-PH-00093-01 contains: 1 pc. BAM FS-XE-005-M8-2-01R (round tip) 1 pc. BES M08MI-PSC40B-S49G
 SET015F BAV BP-PH-00093-02 contains: 1 pc. BAM FS-XE-005-M8-2-01R (round tip) 1 pc. BES M08MI-PSC40B-BP00,2-GS04 SET017R BAV BP-
 PH-00093-11 contains: 1 pc. BAM FS-XE-005-M8-2-01R (round tip) 1 pc. BES M08MI-NSC40B-S49G SET017T BAV BP-PH-00093-12 contains: 1 pc.
 BAM FS-XE-005-M8-2-01R (round tip) 1 pc. BES M08MI-NSC40B-BP00,2-GS04
 Replacement parts available separately: 3 x spring set (light, medium, heavy)- BAM FS-XE-005-M8/RK2 3 x spring set, washer, round point BAM FS-
 XE-005-M8/RK1 3 x spring set, washer, flat point BAM FS-XE-005-M8/RK3 3 x spring set, washer, chisel point - BAM FS-XE-005-M8/RK4 3 x spring set,
 washer, threaded point BAM FS-XE-005-M8/RK5